

SHINO WALL HUNG BASIN

Cat. No.
3-821



W: 18"
D: 20 3/4"
H: 17 1/2"
Flange: 2 5/8" x 1 1/4" deep

Features:

- ▶ Made of Vitreous China
- ▶ 3/4 Pedestal
- ▶ Can Be Installed Using Toggle, or Molly Bolts (not included)
- ▶ Can Be Drilled for 4" Centerset Faucet

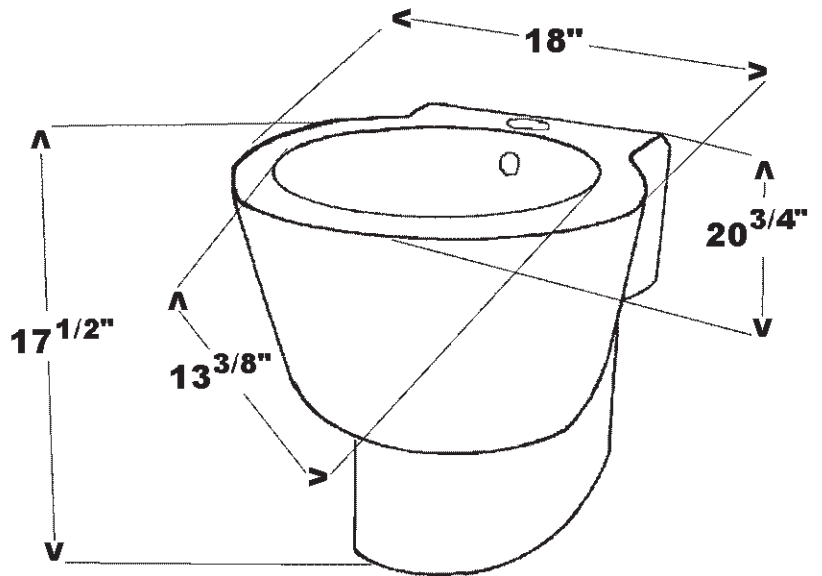
Colors:

WH White

Meets or exceeds the following specifications: ASME A112.19.2 2008 and CSA B45.1-08 for ceramic plumbing fixtures.

Interior Dimensions:

Basin Interior: 13 3/8" diameter
Basin Depth: 8 1/2"
Back of basin to center of faucet: 2 1/2"
Back of basin to center of drain: 8"
Mount holes cc: 4"
Spout hole: 1 3/8"



Dimensions of fixture are nominal and may vary within the range of tolerances established by ASME Standard A112.19.2-2008. Dimensions and specifications subject to change without notice.